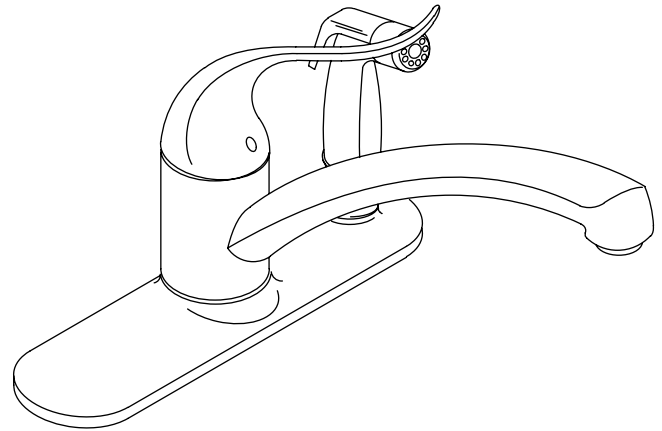


**KITCHEN SINK FAUCET  
K-15073-P**

ADA

**Features**

- Metal construction
- One-piece, self-contained ceramic disc valve allows both volume and temperature control
- Temperature memory allows faucet to be turned on and off at any temperature setting
- High-temperature limit setting for added safety
- ADA compliant lever handle
- Flexible supplies
- Matching finish sidespray
- 9-1/4" (23.5 cm) swing spout reach
- Lower flow aerator options are available (refer to the Kohler Price Book)
- 2.2 gpm (8.3 lpm) maximum flow rate



**Codes/Standards Applicable**

Specified model meets or exceeds the following at date of manufacture:

- ADA
- ASME A112.18.1/CSA B125.1
- ICC/ANSI A117.1
- Energy Policy Act of 1992
- NSF 61
- All applicable US Federal and State material regulations

**Colors/Finishes**

- CP: Polished Chrome
- Other: Refer to Price Book for additional colors/finishes

**Accessories**

- NA: None applicable

**Specified Model**

Model	Description	Colors/Finishes	
K-15073-P	Kitchen sink faucet – with matching finish sidespray	<input type="checkbox"/> CP	<input type="checkbox"/> Other_____
Optional Accessories			
1030920	Sidespray deep roughing-in kit	<input type="checkbox"/> NA	

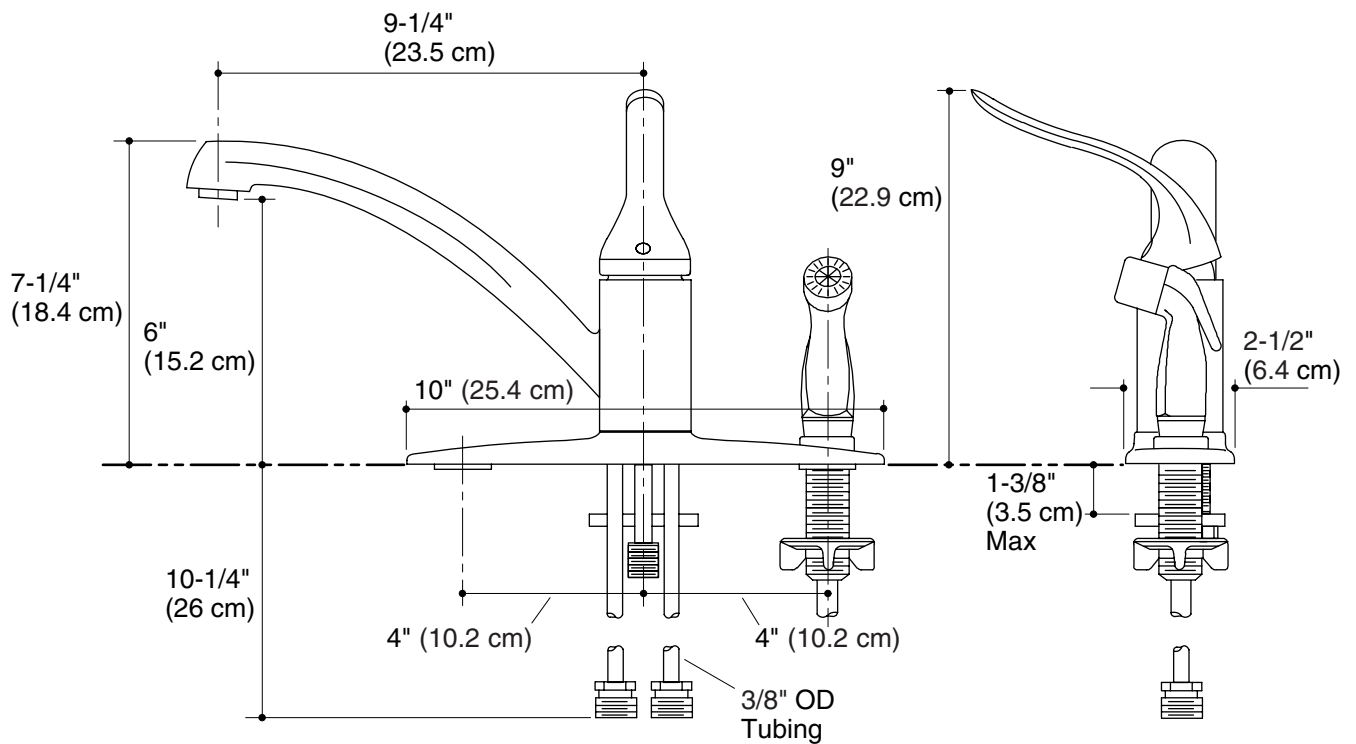
**Product Specification**

The single-control kitchen sink faucet shall be of metal construction. Product shall have a maximum flow rate of 2.2 gallons (8.3 L) per minute with lower flow aerator options available (refer to the Kohler Price Book). Product shall feature a one-piece, self-contained ceramic disc valve, which allows both volume and temperature control. Product shall feature temperature memory, allowing the faucet to be turned on and off at any temperature setting. Product shall feature a high-temperature limit stop setting for added safety. Product shall feature a 9-1/4" (23.5 cm) swing spout reach, ADA compliant lever handle, flexible supplies, and a matching finish sidespray. Faucet shall be Kohler Model K-15073-P-\_\_\_\_.

# CORALAIS®

## Installation Notes

Install this product according to the installation guide.



### Product Diagram