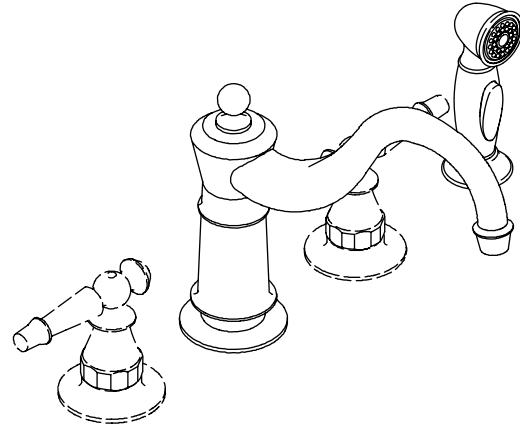


**KITCHEN SINK FAUCET
K-158**

ADA

Features

- Brass construction
- Brass valve bodies
- Quarter-turn washerless ceramic disc valves
- Handspray
- For 8" (20.3 cm) centers
- Matching finish sidespray
- 8-5/8" (21.9 cm) spout reach
- Rotating spout
- Available with six-prong or ADA compliant lever handles
- Lower flow aerator options are available (refer to the Kohler Price Book)
- 2.2 gpm (8.3 lpm) maximum flow rate



Codes/Standards Applicable

Specified model meets or exceeds the following at date of manufacture:

- ADA
- ASME A112.18.1/CSA B125.1
- ICC/ANSI A117.1
- NSF 61
- ASSE 1014
- Energy Policy Act of 1992
- All applicable US Federal and State material regulations



Colors/Finishes

- CP: Polished Chrome
- BN: Brushed Nickel
- Other: Refer to Price Book for additional colors/finishes

Accessories

- CP: Polished Chrome
- BN: Brushed Nickel
- Other: Refer to Price Book for additional colors/finishes
- NA: None applicable

Specified Model

Model	Description		 ADA
K-158-3	Kitchen sink faucet – six-prong handles	<input type="checkbox"/> CP <input type="checkbox"/> BN <input type="checkbox"/> Other_____	
K-158-4	Kitchen sink faucet – ADA compliant lever handles (shown)		<input type="checkbox"/> CP <input type="checkbox"/> BN <input type="checkbox"/> Other_____

Product Specification

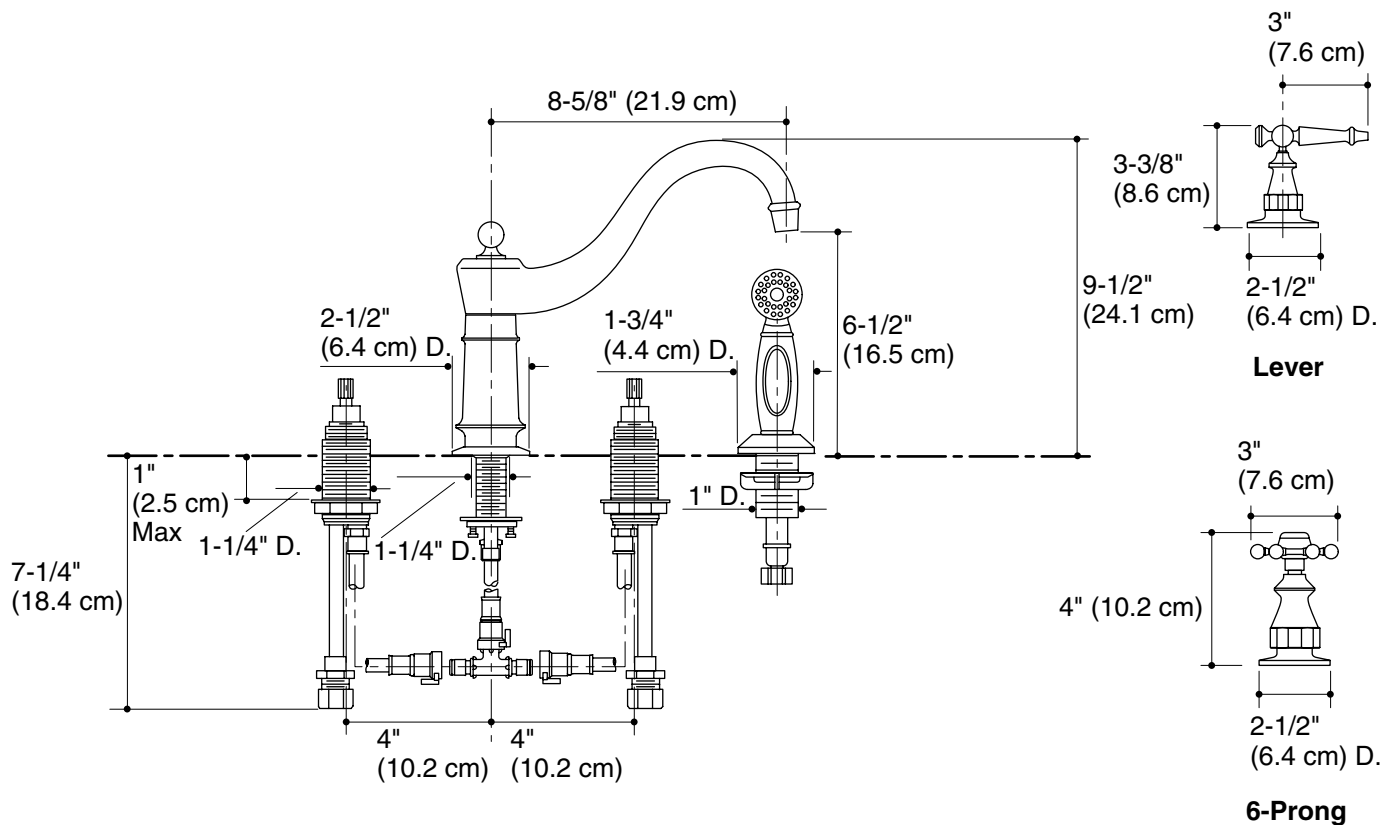
The two-handle kitchen sink faucet shall be of brass construction with brass valve bodies. Product shall have a maximum flow rate of 2.2 gpm (8.3 lpm) with lower flow aerator options available (refer to the Kohler Price Book). Product shall feature quarter-turn washerless ceramic disc valves, assuring positive handle stop positioning. Product shall feature flexible connections for easy installation, a 8-5/8" (21.9 cm) spout reach, a rotating spout, and matching finish sidespray. Product shall be available with six-prong handles or ADA compliant lever handles. Product shall be for 8" (20.3 cm) centers. Faucet shall be Kohler Model K-158-____-_____.

ANTIQUETM

Optional Accessories					
K-9637	Small lever inserts, pair	<input type="checkbox"/> CP	<input type="checkbox"/> BN		
K-9657	Small lever inserts, pair			<input type="checkbox"/> Other_____	
40003	Wrench for long-stemmed ceramic valve bodies				<input type="checkbox"/> NA
77619	Deep roughing-in kit for two-handle (only) kitchen faucets				<input type="checkbox"/> NA
1011402	Sidespray deep roughing-in kit				<input type="checkbox"/> NA

Installation Notes

Install this faucet following the installation instructions provided.



Product Diagram