

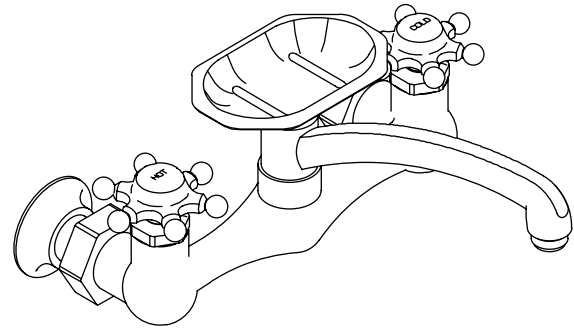
KITCHEN SINK FAUCET

K-149-3

ALSO K-159-3

Features

- Brass construction
- Wall-mount installation
- For 8" (20.3 cm) centers
- Valvet® valves
- Available with 8" (20.3 cm) or 12" (30.5 cm) spout reach
- Rotating spout
- Six-prong handles
- Soap dish
- Inside threaded couplings
- Lower flow aerator options are available (refer to the Kohler Price Book)
- 2.2 gpm (8.3 lpm) maximum flow rate



Codes/Standards Applicable

Specified model meets or exceeds the following at date of manufacture:

- ASME A112.18.1/CSA B125.1
- Energy Policy Act of 1992
- NSF 61
- All applicable US Federal and State material regulations

Colors/Finishes

- CP: Polished Chrome
- Other: Refer to Price Book for additional colors/finishes

Specified Model

Model	Description	Colors/Finishes	
K-149-3	Kitchen sink faucet – 8" (20.3 cm) spout reach	<input type="checkbox"/> CP	<input type="checkbox"/> Other _____
K-159-3	Kitchen sink faucet – 12" (30.5 cm) spout reach	<input type="checkbox"/> CP	<input type="checkbox"/> Other _____

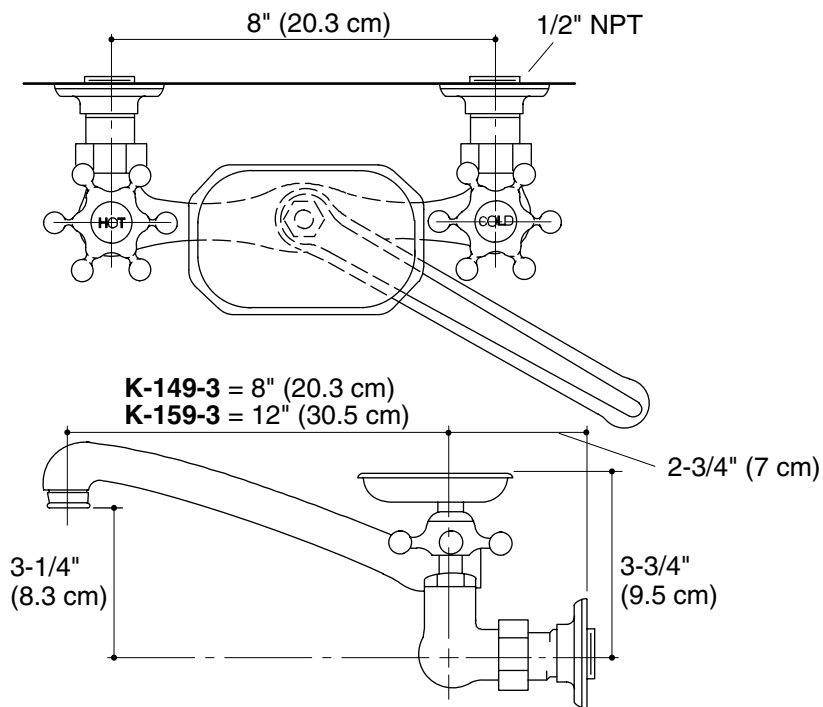
Product Specification

The wall-mount kitchen sink faucet shall be of brass construction. Product shall have a 2.2 gpm (8.3 lpm) maximum flow rate with lower flow aerator options available (refer to the Kohler Price Book). Product shall also feature Valvet valves, six-prong handles, a rotating spout, and a soap dish. Product shall feature inside threaded couplings. Product shall be available with a 8" (20.3 cm) or 12" (30.5 cm) spout reach. Product shall be for 8" (20.3 cm) centers. Faucet shall be Kohler Model K-____-____.

ANTIQUETM

Installation Notes

Install this product according to the installation guide.



Product Diagram