

WALL-MOUNT LAVATORY K-2226

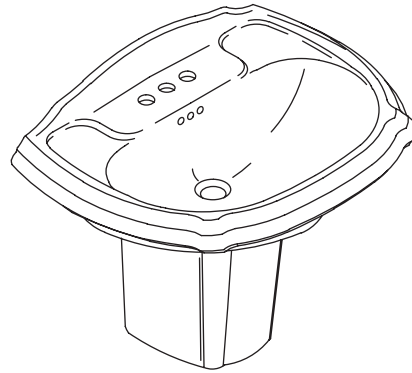
Features

- Vitreous china
- Wall-mount
- With overflow
- 8" (20.3 cm) centers (-8), 4" (10.2 cm) centers (-4), or single-hole (-1)
- 27" (68.6 cm) x 19-3/8" (49.2 cm)

Codes/Standards Applicable

Specified model meets or exceeds the following:

- ASME A112.19.2/CSA B45.1



Colors/Finishes

- 0: White
- Other: Refer to Price Book for additional colors/finishes

Accessories:

- CP: Polished Chrome
- Other: Refer to Price Book for additional colors/finishes

Specified Model

Model	Description	Colors/Finishes	
K-2226-1	Lavatory with single hole	<input type="checkbox"/> 0	<input type="checkbox"/> Other_____
K-2226-4	Lavatory with 4" (10.2 cm) centers	<input type="checkbox"/> 0	<input type="checkbox"/> Other_____
K-2226-8	Lavatory with 8" (20.3 cm) centers	<input type="checkbox"/> 0	<input type="checkbox"/> Other_____
Recommended Accessories			
K-7605-P	Lavatory supplies, 3/8" (pair)	<input type="checkbox"/> CP	<input type="checkbox"/> Other_____
K-8998	P-Trap	<input type="checkbox"/> CP	<input type="checkbox"/> Other_____

Product Specification

The wall-mount lavatory shall be 27" (68.6 cm) in length and 19-3/8" (49.2 cm) in width. Lavatory shall be made of vitreous china. Lavatory shall have 8" (20.3 cm) centers (-8), 4" (10.2 cm) centers (-4), or single hole (-1). Lavatory shall have overflow. Lavatory shall be Kohler Model K-2226-_____ -_____.

PORTRAIT®

Technical Information

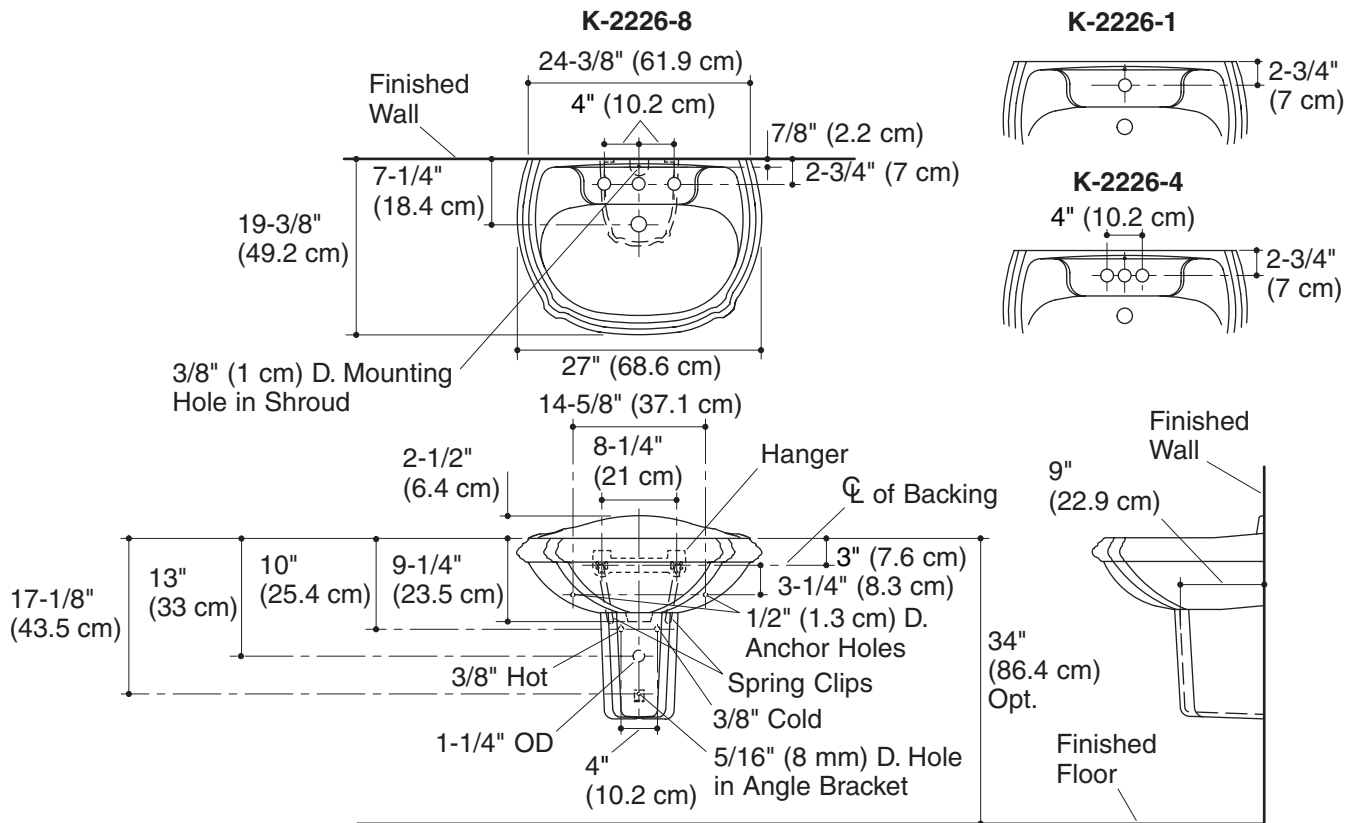
Fixture*:	
Basin area	22" (55.9 cm) x 12" (30.5 cm)
Water depth	7-1/4" (18.4 cm)
Drain hole	1-3/4" (4.4 cm) D.
*Approximate measurements for comparison only.	

Holes	K-2226-8	K-2226-4	K-2226-1
Spout	1-3/8" (3.5 cm) D.	1-1/4" (3.2 cm) D.	1-3/8" (3.5 cm) D.
Faucet	1-3/8" (3.5 cm) D.	1-1/4" (3.2 cm) D.	NA

Included components:	
Lavatory basin, 8" (20.3 cm) centers	K-2226-8
Lavatory basin, 4" (10.2 cm) centers	K-2226-4
Lavatory basin, single-hole	K-2226-1
Shroud	K-2227
Shroud accessory pack	52205
Hanger	64839
Rubber pads	63069

Installation Notes

Install this product according to the installation guide.



Product Diagram