

ANTIQUETM

Required Accessories

K-304-K	Rite-Temp® valve without stops OR	<input type="checkbox"/> NA
K-304-KS	Rite-Temp® valve with stops OR	<input type="checkbox"/> NA
K-306-KS	HiFlow Rite-Temp® valve with integral stops OR	<input type="checkbox"/> NA
K-146	Ceramic dial faceplate (For -3D and -4D) OR	<input type="checkbox"/> NA
K-262	Ceramic dial faceplate and oval handle inset (For-9B)	<input type="checkbox"/> Other_____

Optional Accessories

K-9639	Large lever insert, single	<input type="checkbox"/> CP
K-9659	Large lever insert, single	<input type="checkbox"/> Other_____
58221	Deep roughing-in kit for K-304 valve (six-prong and artist edition handles)	<input type="checkbox"/> CP <input type="checkbox"/> Other_____
58222	Deep roughing-in kit for K-304 valve (lever handles)	<input type="checkbox"/> CP <input type="checkbox"/> Other_____
88526	Thin wall installation kit for K-306 valve	<input type="checkbox"/> CP <input type="checkbox"/> Other_____

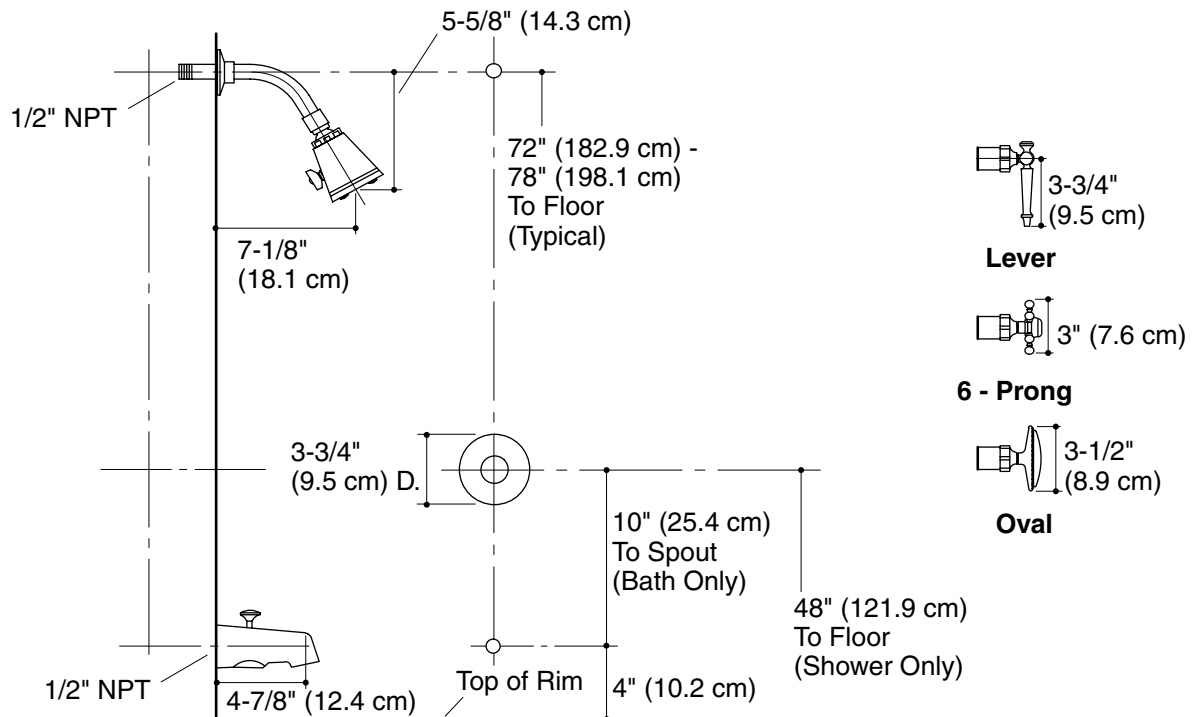
Installation Notes

NOTICE: When using the K-306-KS valve in a fiberglass or acrylic installation, use the thin wall installation kit (88526).

Avoid cross-flow conditions. Do not install shut-off device on either valve outlet.

Cap shower outlet if deck-mount spout, diverter, or handshower is connected to spout outlet.

Install straight pipe or tube drop of 7" (17.8 cm) to 18" (45.7 cm) with single elbow between valve and wall-mount spout.



Product Diagram