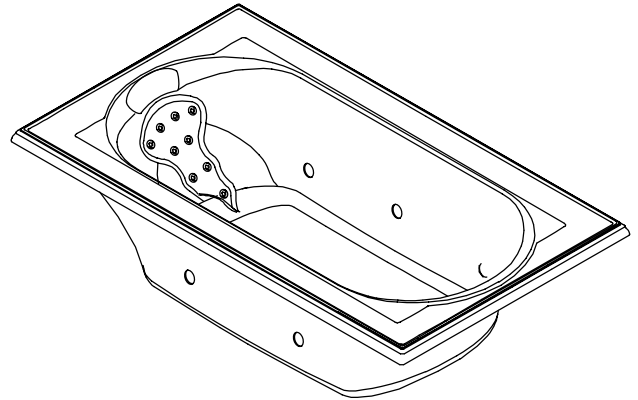


### FEATURES

- 72" x 42" x 22"
- Acrylic
- System III - 2 hp variable flow pump with integral heater, electronic switch, pulsating neckjets with pillow, and 6 Flexjets
- Ten color-matched sequencing Bodyssage backjets
- UL Listed
- LESS ALL TRIM
- Drilled for K-9653 grip rails
- Pump is supplied with a grounding-type plug-in cord



### CODES/STANDARDS APPLICABLE

Specified model meets or exceeds the following:

- ANSI Z124.1
- ASME/ANSI A112.19.7M
- IAPMO/UPC
- Underwriters Laboratories (UL)

### COLORS/FINISHES

- 0 White
- Other Refer to Fixtures Price Book for additional colors

#### Accessories:

- CP Polished Chrome
- PB Polished Brass
- Other Refer to Faucets Price Book for additional finishes

### SPECIFIED MODEL:

Model	Description	Colors/Finishes		
K-1332	Bath whirlpool	<input type="checkbox"/> 0 White	<input type="checkbox"/> Other_____	
<b>Required Accessories</b>				
K-9696	Jet trim kit	<input type="checkbox"/> CP	<input type="checkbox"/> PB	<input type="checkbox"/> Other_____
K-9653	Grip rails (pair)	<input type="checkbox"/> CP	<input type="checkbox"/> PB	<input type="checkbox"/> Other_____
<b>Recommended Accessories</b>				
K-7161-AF	Drain	<input type="checkbox"/> CP	<input type="checkbox"/> PB	<input type="checkbox"/> Other_____

### PRODUCT SPECIFICATION:

The bath whirlpool shall be 72" in length, 42" in width, and 22" in height. Bath whirlpool shall be made of acrylic. Bath whirlpool shall have System III, 2 hp variable flow pump with integral heater, electronic switch, pulsating neckjets with pillow, and 6 Flexjets. Bath whirlpool shall have 10 color-matched sequencing Bodyssage backjets. Bath whirlpool shall be UL listed. Bath whirlpool shall be less all trim. Bath whirlpool shall be drilled for K-9653 grip rails. Bath whirlpool pump shall be supplied with a grounding-type plug-in cord. Bath whirlpool shall be Kohler Model K-1332-\_\_\_\_\_.

## REQUIRED ELECTRICAL SERVICE

Dedicated circuit required, protected with Class A Ground-Fault Circuit-Interrupter (GFCI):	
Pump/control	120 V, 20 A, 60 Hz

## PRODUCT INFORMATION

Fixture*:	basin area	top area	weight
Bathing well	42" x 27"	60" x 30"	129 lbs.
	water depth	capacity	
To overflow	16"	86 gal.	

\* Approximate measurements for comparison only.

Pump:	HP	V	Hz	A
1-speed	2	120	60	18.5

## INSTALLATION NOTES

**NOTICE:** Unless otherwise specified, floor support under whirlpool must provide for a minimum of 80 lbs./square foot loading. If installing a rim-mount faucet, make sure there is no interference with drain overflow and circulating system before drilling any holes. Consult local and national codes for minimum air gap requirements if installing a spout on the faucet deck.

Each pump is supplied with grounding-type plug-in cord. Locate the outlet behind the whirlpool, and within 24" of the pump.

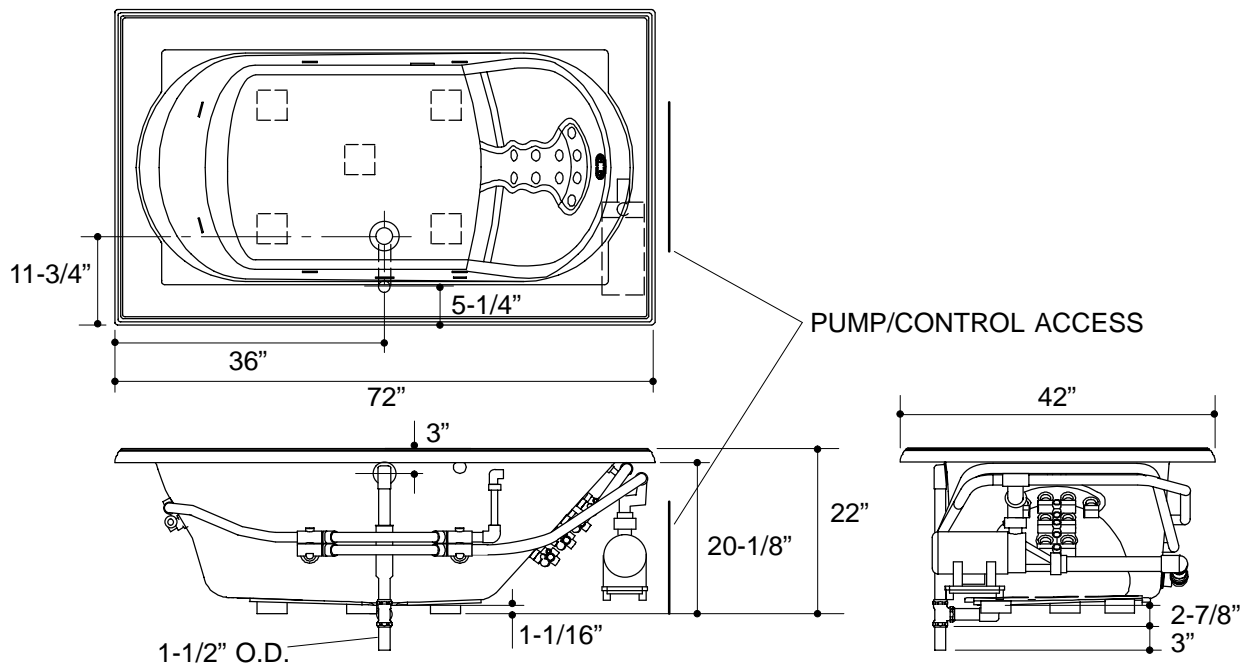
### Roughing-In Notes

No change in measurements if connected with drain illustrated.

Cut-out	70-1/2" x 40-1/2"
---------	-------------------

Minimum access panel:

Pump/control	36" W x 20" H	required
--------------	---------------	----------



1.25>132

## PRODUCT DIAGRAM